

ME-31

– MistEliminator, 4-step filtration

TECHNICAL DATA

Unit specification

Housing material:	Galvanized steel
Housing finish:	Epoxy powder coat
Unit weight:	90 kg / 198 lbs
Unit dimensions:	H: 1603 mm / 63 1/32 inch W: 675 mm / 26 9/16 inch D: 695 mm / 27 7/16 inch
Air volume:	4000 m ³ /h / 2350 CFM
Intake velocity:	23 m/s / 4530 fpm
Outlet velocity:	30 m/s / 5900 fpm
Max. negative pressure:	4000 Pa / 16" wg
Oil drain container:	10 litre
Filter indicator:	Manometer 0-2000 Pa / 0-8" wg

Filter elements:

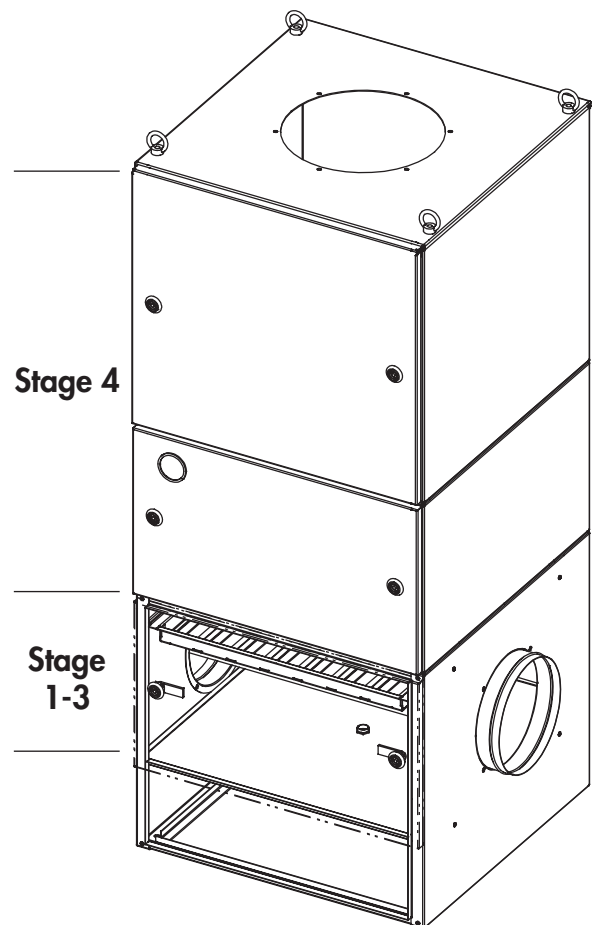
- Stage 1:** Pre separator
- Stage 2:** Hydro filter (Impinger) – IMP-Modul
- Stage 3:** Pre filter, Aluminium – FF-OIL
- Stage 4:** Bag filter – BFME-3-95%
95% ASHRAE/F9 Eurovent

Filter pressure over filter stage

Initial filter pressure over filter stage:	50 Pa / 0.2" wg
Final filter pressure over filter stage:	500 Pa / 2.0" wg

Total filter pressure – for dimensional purpose

Initial filter pressure over filter:	50 Pa / 0.2" wg
Final filter pressure over filter:	500 Pa / 2.0" wg

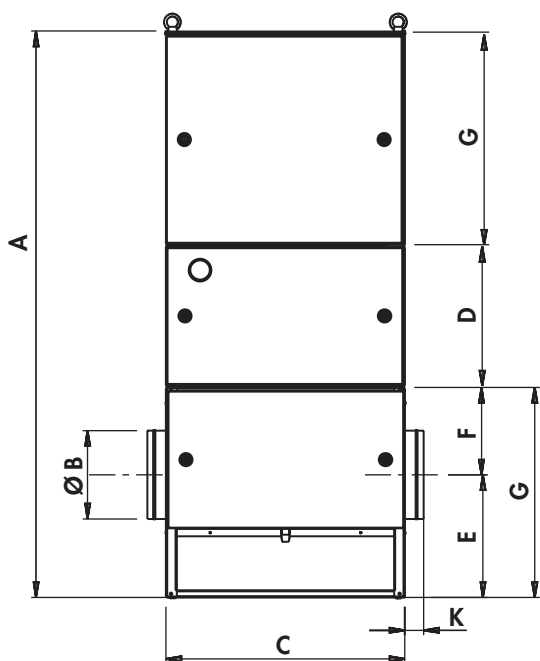


SOUND POWER DATA

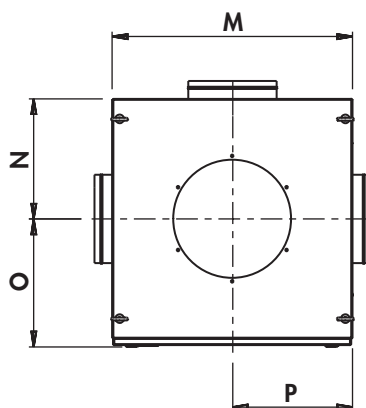
TEV-fan model	Static pressure Pa / in wg	Airflow m ³ /h / CFM	Octave Band (Hz)							LwA
			63 Hz	125 Hz	250 Hz	500 Hz	1000 Hz	2000 Hz	4000 Hz	
TEV-385-50	250 / 1.0	3600 / 2100	68.7	72.7	78.4	73.4	76.9	69.7	64.6	79.3
TEV-585-50	400 / 1.6	6240 / 3750	84.3	84.9	86.3	81.7	82.5	77.2	70.8	85.9
TEV-765-50	400 / 1.6	9100 / 5350	86.4	84.1	86.4	81.6	84.0	78.7	74.8	87.1
TEV-985-50	650 / 2.6	13800 / 8100	90.2	94.4	95.4	92.3	93.2	86.3	80.7	95.8

The sound power measurement in accordance with SS ISO-5135.

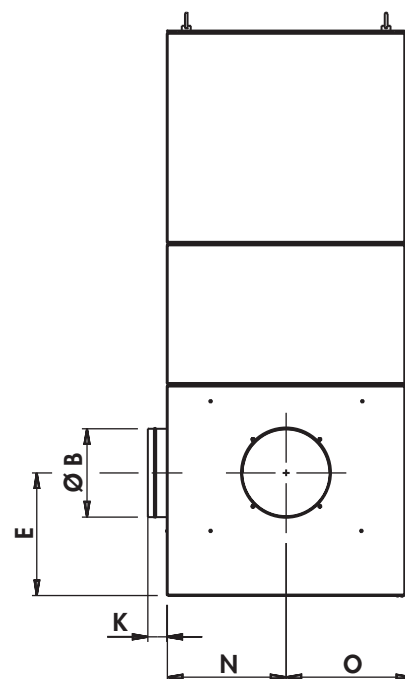
Front view



Top view

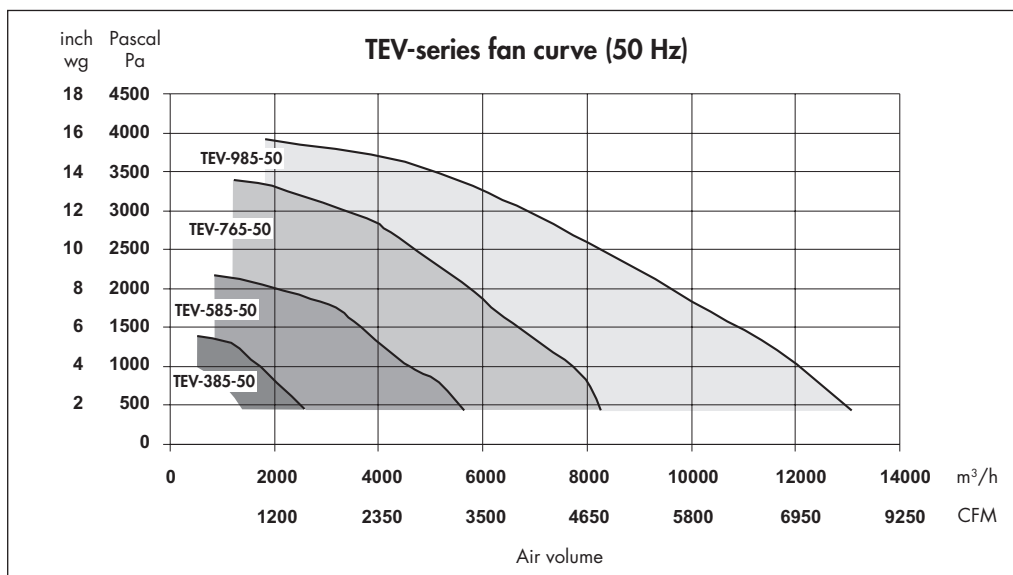


Side view



	mm	inch
A	1603	63 1/32
B	250	9 27/32
C	675	26 9/16
D	395	15 9/16
E	347	13 11/16
F	247	9 3/4
G	595	23 7/16
K	53	2 1/8
M	680	26 25/32
N	339	13 3/8
O	356	14 1/32
P	340	13 13/32

FAN DATA



PLYMOVENT®
INTELLIGENT PROCESS VENTILATION™

PlymoVent AB
 Föreningsgatan 37
 SE-211 52 Malmö, Sweden
 Tel: +46 40 30 31 30, Fax: +46 40 30 31 40
 www.plymovent.com info@plymovent.se

PlymoVent representative